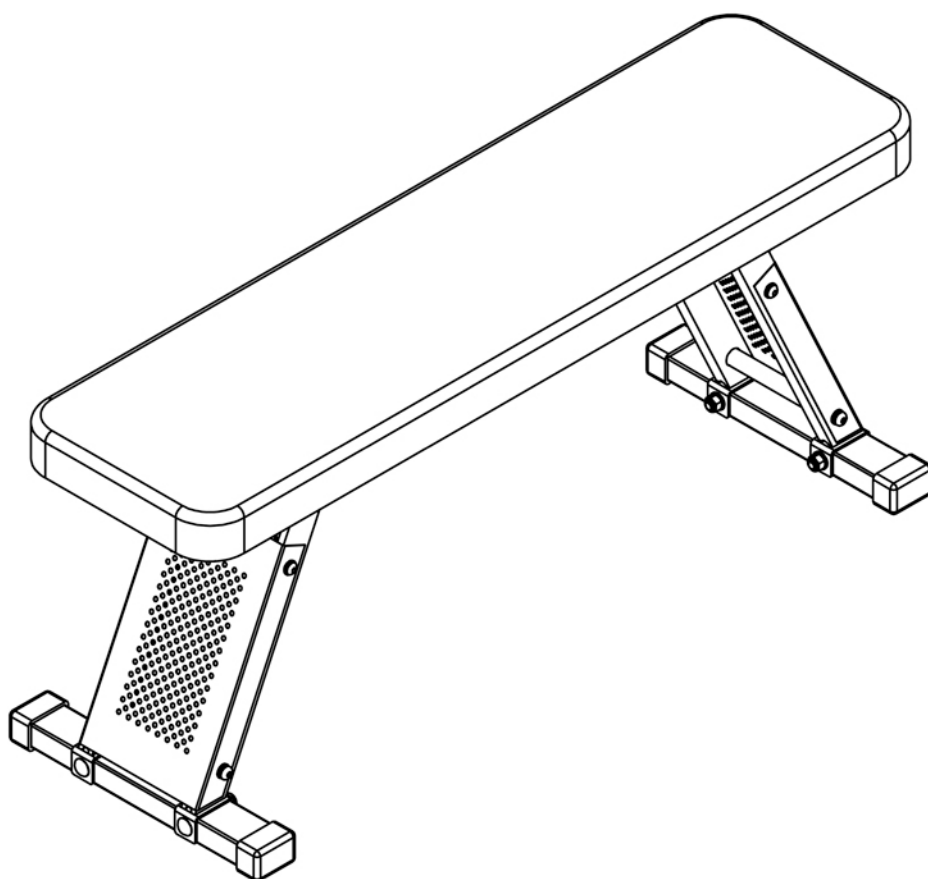


MARCY®

FLAT BENCH

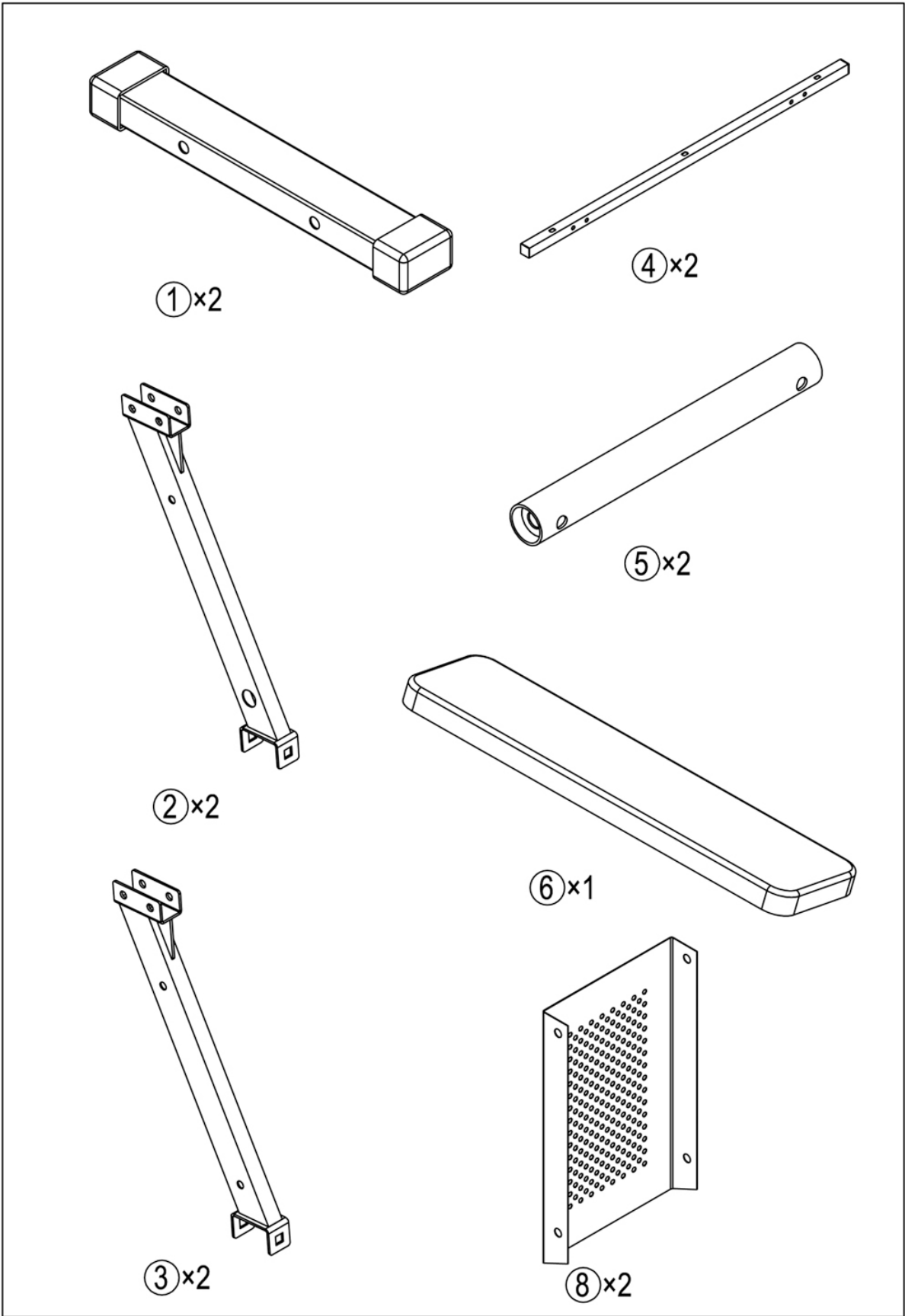
SB-1315

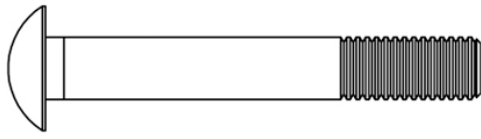


IMPORTANT: Please read the Important Safety Notice and Assembly Information in the Owner's manual before assembling this product.

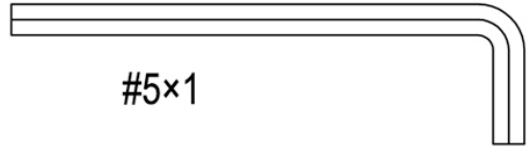
Assembly Manual

130718





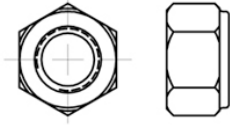
⑩ x4



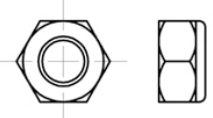
#5x1



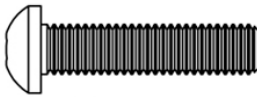
⑪ x14



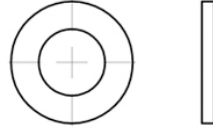
⑭ x4



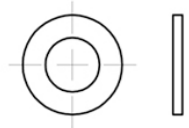
⑮ x12



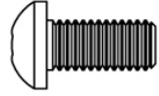
⑫ x4



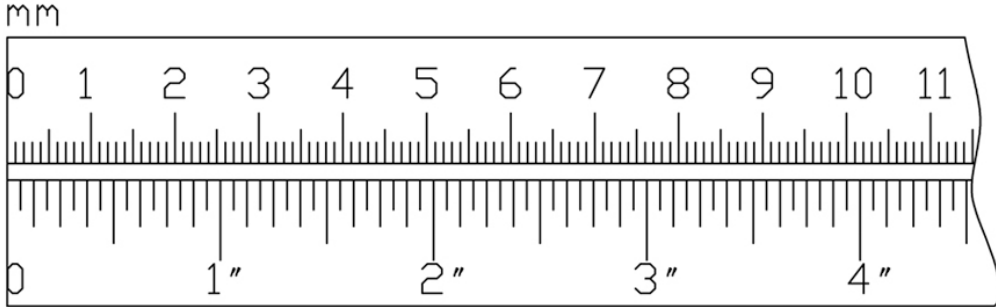
⑯ x4



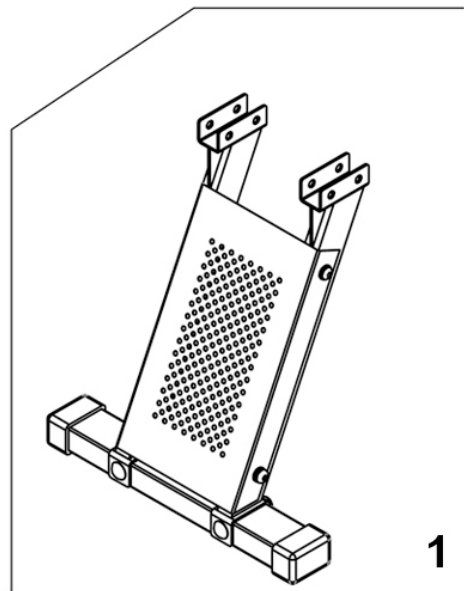
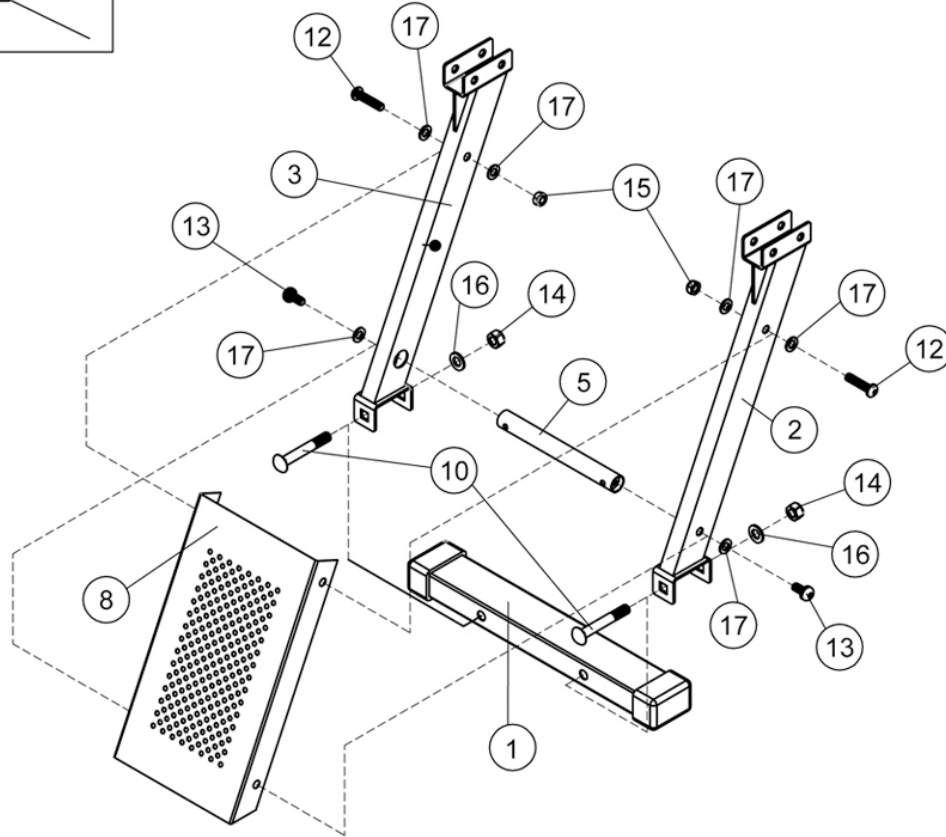
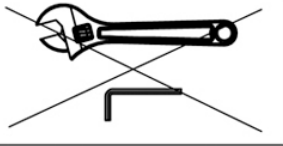
⑰ x34










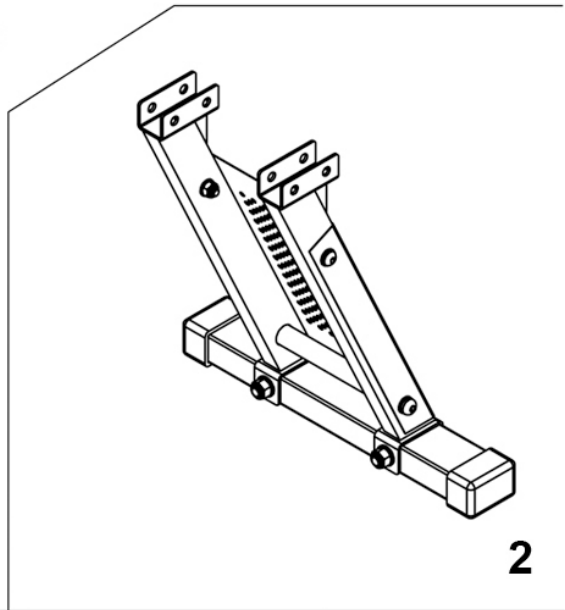
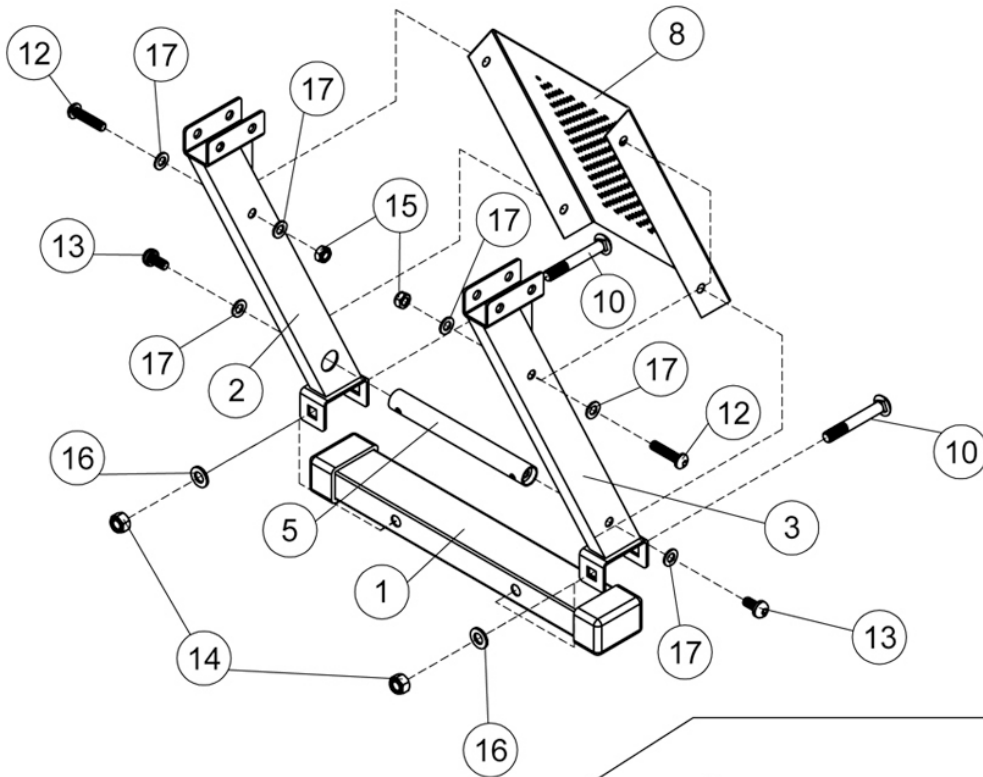
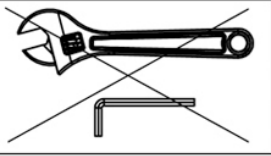
⑬ x4






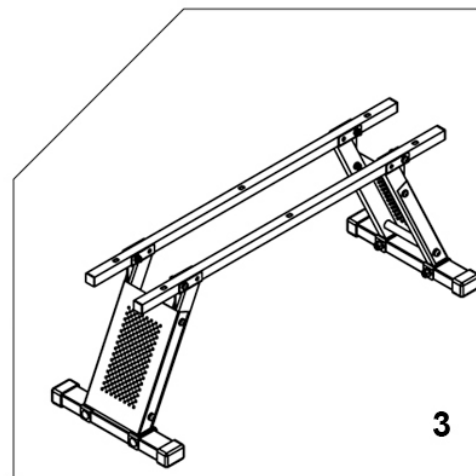
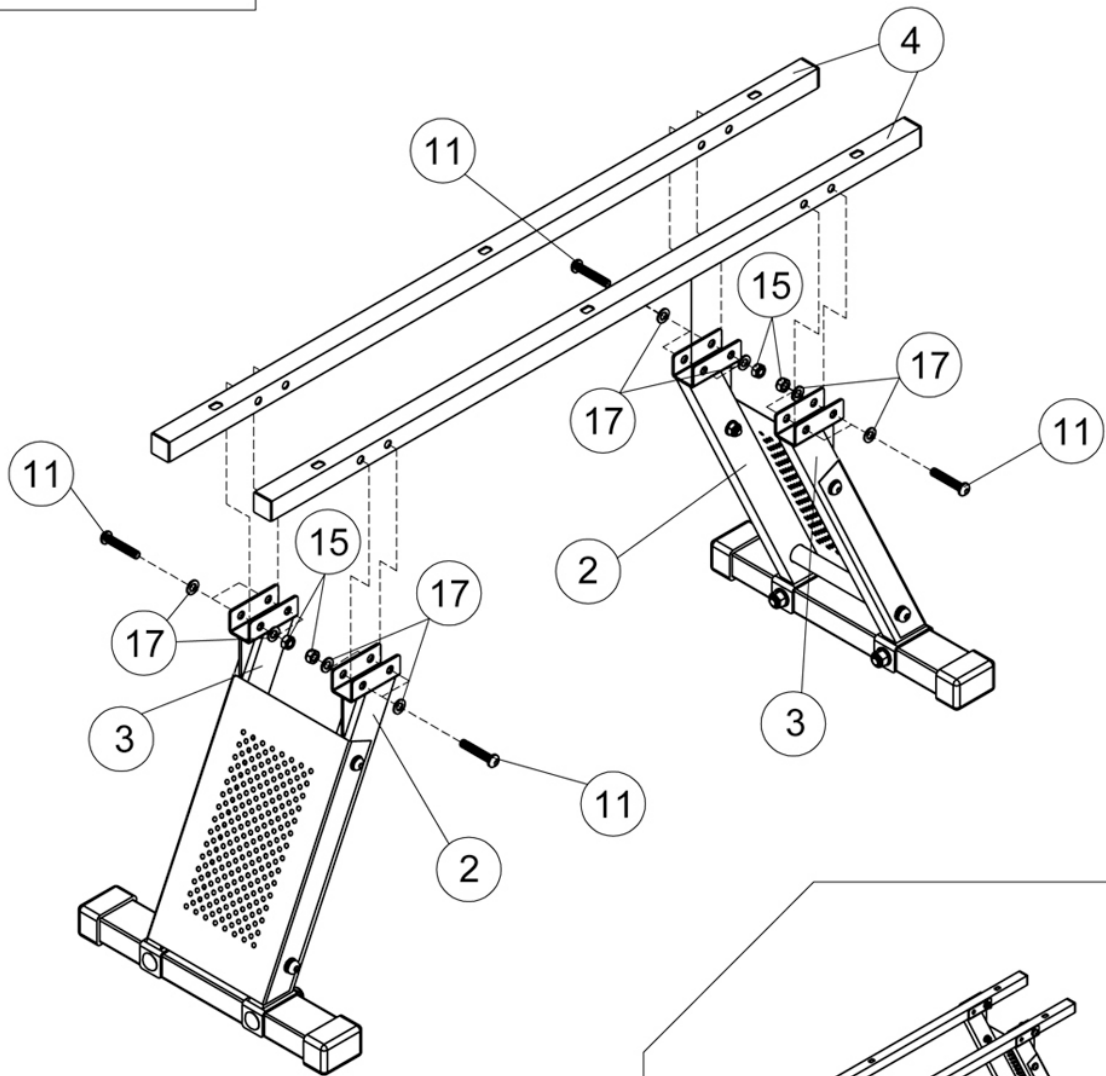
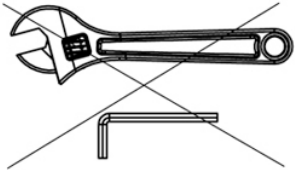
- | | | | | | | | | | | | |
|------|---|-----|--------------|------|---|-----|--------|------|---|-----|--------|
| (10) |  | x 2 | M10 x 2 3/4" | (14) |  | x 2 | M10 | (17) |  | x 6 | Ø 5/8" |
| (12) |  | x 2 | M8 x 1 3/8" | (15) |  | x 2 | M8 | | | | |
| (13) |  | x 2 | M8 x 3/4" | (16) |  | x 2 | Ø 3/4" | | | | |





- | | | | | | | | | | | | |
|---|---|-----|--------------|---|---|-------|--------|---|---|-----|--------|
| ⑩ |  | x 2 | M10 x 2 3/4" | ⑭ |  | ⊙ x 2 | M10 | ⑰ |  | x 6 | Ø 5/8" |
| ⑫ |  | x 2 | M8 x 1 3/8" | ⑮ |  | ⊙ x 2 | M8 | | | | |
| ⑬ |  | x 2 | M8 x 3/4" | ⑯ |  | x 2 | Ø 3/4" | | | | |

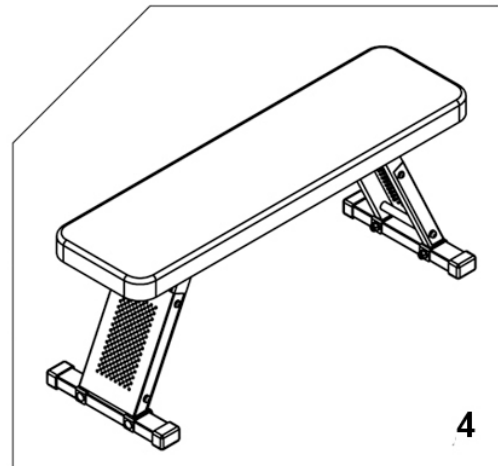
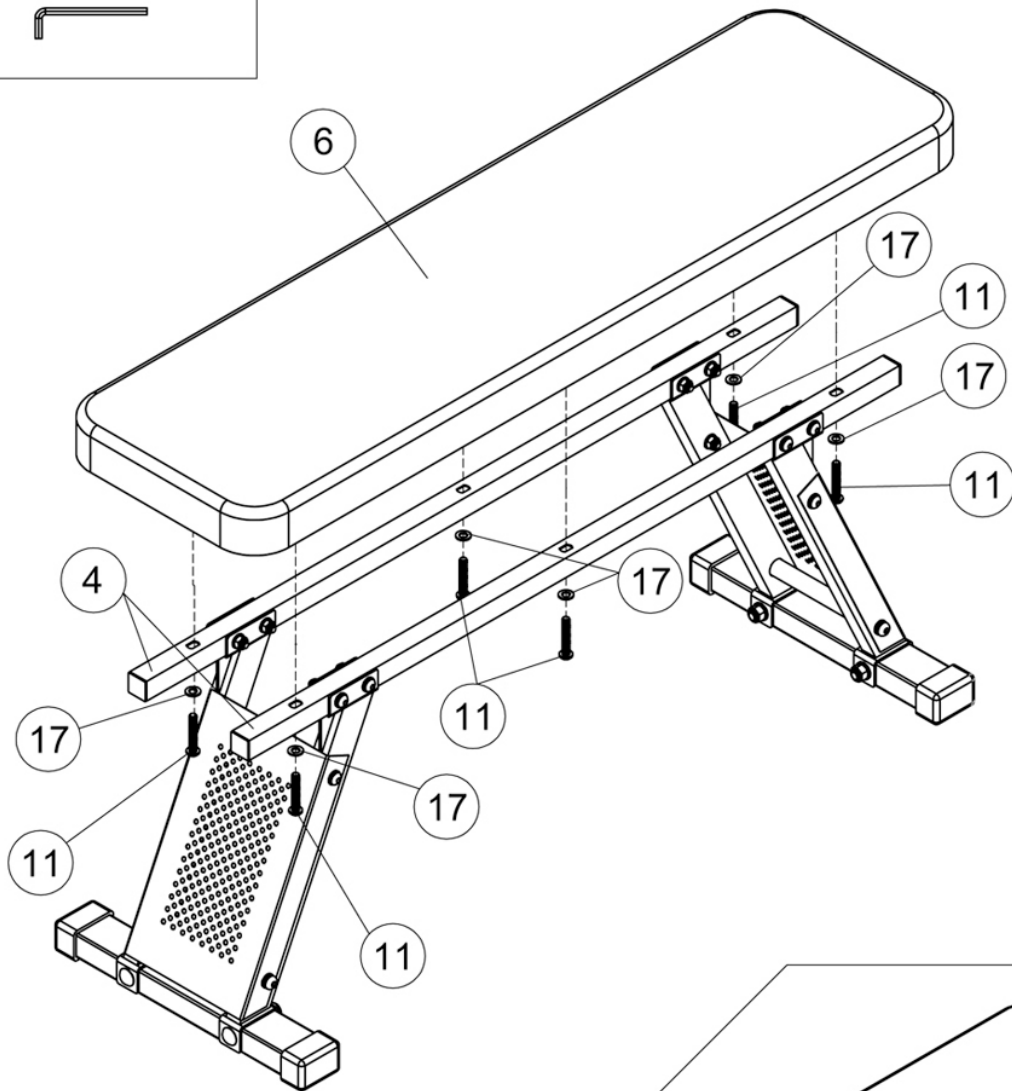


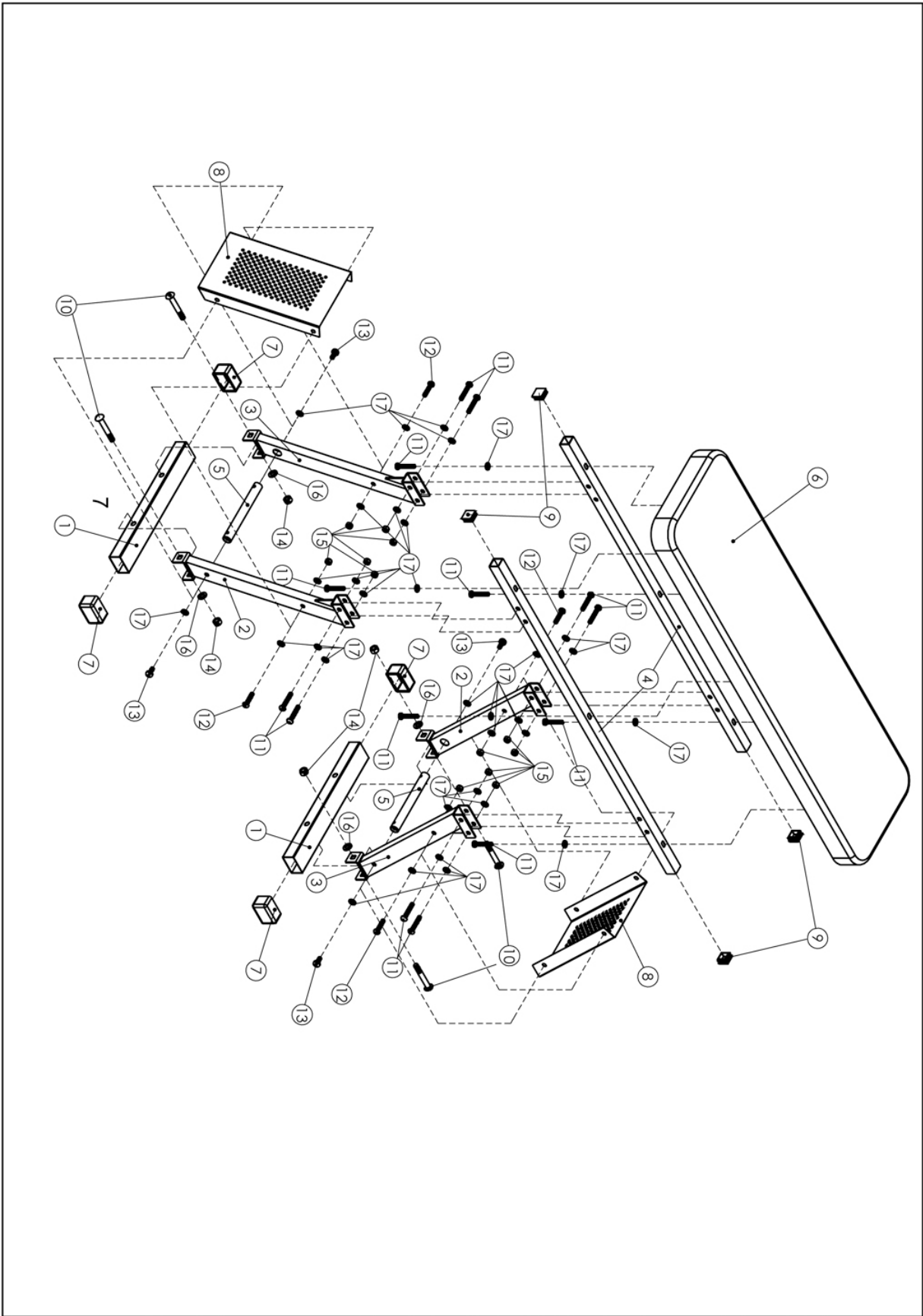
- | | | | |
|----|---|-----|----------------------|
| ①① |  | ×8 | M8×1 $\frac{3}{4}$ " |
| ①⑤ |  | ×8 | M8 |
| ①⑦ |  | ×16 | Ø 5/8" |



①①  ×6 M8×1³/₄"

①⑦  | ×6 Ø 5/8"





IMPEX® INC.

2801 S. Towne Ave, Pomona, CA 91766

Tel: (800) 999-8899 Fax: (626) 961-9966

www.impex-fitness.com

info@impex-fitness.com